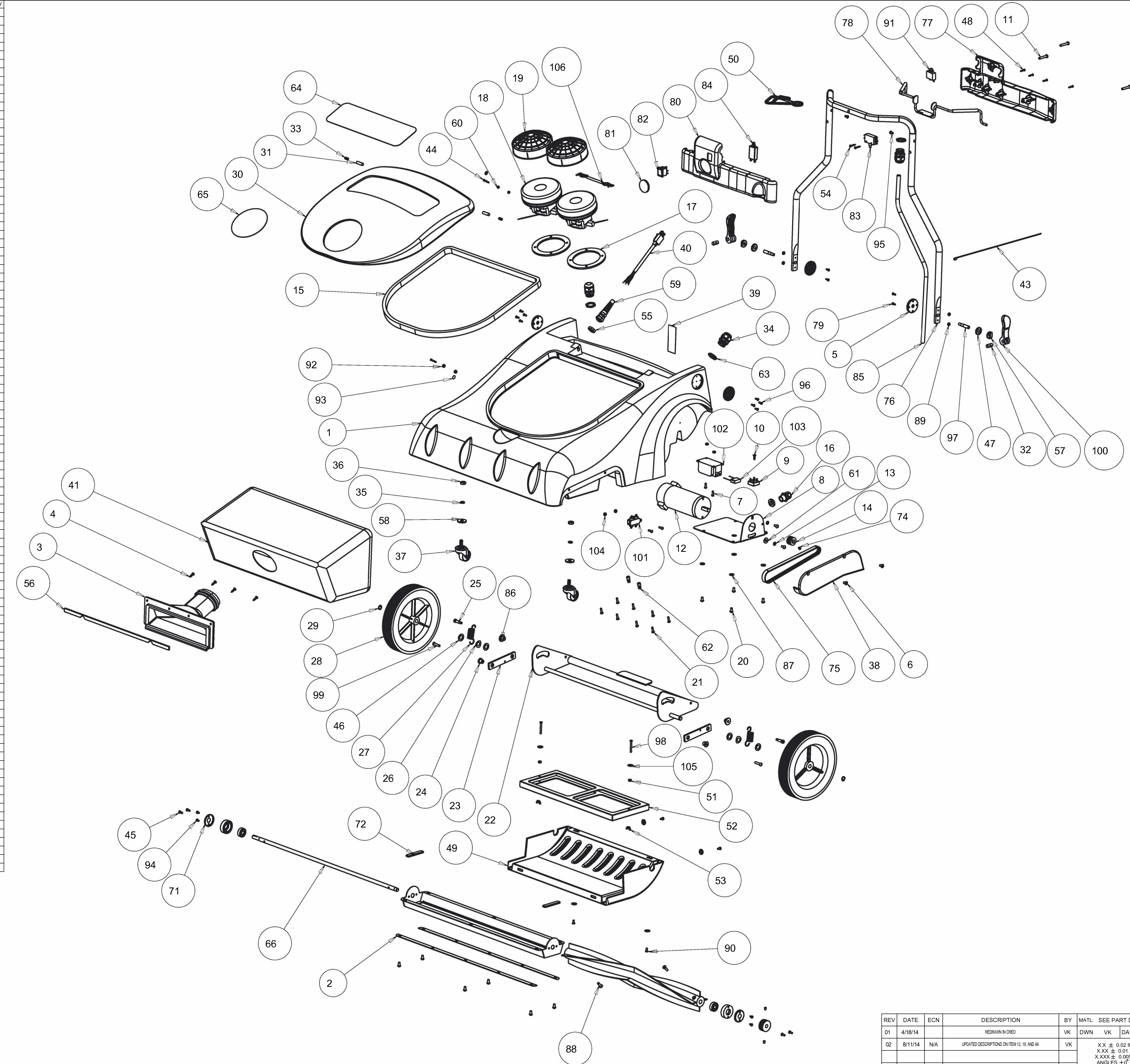


DESCRIPTION	PART NO.	QTY
CHASSIS	33036	1
GASKET, BRUSH SHOE	30077	2
FILTER CHUTE	33193	1
SCREW, #10-16 X 3/4" L, PNHD, PH, BO, TAP-AB	33195	4
BRACKET, GROOVED	19798	4
SCREW, 1/4"-20 X 1/2" L, FHD, PH, ZP	15162	2
SCREW, #10-32 X 5/8" L, RHDHD, PH, ZP	12896	4
MOUNT, BRUSH MOTOR	19836	1
BRIDGE RECTIFIER, 25 A	33061	1
SCREW, #10-24 X 5/8" L, PNHD, PH, ZP, TAP-F	33451	1
SCREW, 1/4"-20 X 1-1/2" L, RHDHD, PH, ZP	01978	3
BRUSH MOTOR, 230V	33501	1
WASHER, 0.25", LOCK, INTERNAL TOOTH, ZP	7CY002	2
PULLEY, BRUSH, DRIVE	19835	1
GASKET, LID WAV	30079	1
STRAIN RELIEF, LIQ TITE	PD8	1
GASKET, 5.8" MOTOR	30090	2
MOTOR, VACUUM, 230V, 5.8"	31306	2
FILTER, VAC INTAKE, 5.8"	19834	2
SCREW, 1/4"-20 X 1/2" L, RNDHD, PH, ZP	00086	10
SCREW, #10-16 X 3/4" L, PNHD, PH, ZP, TAPTITE	30620	8
BRACKET, AXLE ASSY, WAV	30491	1
ARM, WHEEL PIVOT	19841	2
PIVOT SLEEVE, WHEEL	30461	2
SCREW, 1/4"-20, SHCS, SHOULDER 5/16"D X 3/4" L	30617	2
SPRING, WAHSER, 1/2"	19818	2
SPRING, TENSION	30466	2
WHEEL, 10", PLASTIC HUB	19797	2
SNAP RING, 1/2", EXTERNAL	30507	2
LID	33500	1
PIN, LID HINGE	19864	2
CAM LEVER PIN	33105	2
SPRING, LATCH RELEASE	15357	2
STRAIN RELIEF, LIQ. TITE	33191	3
WASHER, 0.375", LOCK, SPLIT, ZP	03536	2
NUT, 3/8"-16, HEX, JAM, ZP	30358	2
WHEEL, CASTER	31209	2
BELT COVER	33057A	1
DECAL, CARPET LEVEL *	30618	1
POWER CORD, 14AWG, 3COND, 75'L, MALE PLUG	33505	1
FILTER BAG, CLOTH	19816	1
FILTER BAG PAPER	90701	1
WIRE TIE, 15", BLACK	18706	1
SCREW, #10-32 X 3/4"	04735	2
SCREW, #10-32 X 1/2" L, PNHD, PH, ZP	19804A	4
WASHER, 0.563", PLAIN, SS	19616	4
CAM METAL WASHER	33106	2
SCREW, #6-32 X 3/4" L, PNHD, PH, ZP	16924	4
COVER, EXHAUST	19854G	1
CORD RETAINER BLACK	B352-6900	1
NUT-FINISHED HEX #10-32	01604	2
EXHAUST FILTER	19855	1
NUT-WING (10-32) ZINC PL	19975	2
SCREW, #6-13 X 1.25" PLASTITE	33117	2
NUT-CONDUIT	X8008N	2
GASKET, CHUTE	33502	1
CAM PLASTIC WASHER	33103	2
WASHER, 0.391", PLAIN, ZP	03321	2
STRAIN RELIEF 1/2" NPT	19461	1
NUT-HEX. LOCK (KEPS) #6-32	17376	2
WASHER, 0.265", PLAIN, ZP	14142	1
WIRE CONNECTOR	B123-2700	2
NUT, LOCK, STRAIN RELIEF, NI-PLATE	33192	3
DECAL, RECTANGLE	33048	1
DECAL, LARGE ROUND	X9498	1
AXLE, BRUSH	19808	1
THREAD GUARD	19848	2
GASKET	32896	2
SCREW, 1/4"-20 X 5/16" L, SET, ALLEN, CUPPNT	02011	3
BELT, BRUSH DRIVE	19802	1
HANDLE, MAIN	19829	1
SWITCH BOX, BOTTOM	33190	1
TRIGGER, BRUSH SWITCH	19849	1
SCREW, #8-32 X 1/2" L, FHD, PH, ZP, TAP-F	X9582	4
SWITCH BOX, TOP	33189	1
DECAL, SMALL CIRCLE	X9499	1
SWITCH, ROCKER, DPST, 20A	32966	1
SWITCH, PUSH BUTTON, DPST, 20A	19357	1
CIRCUIT BREAKER, PUSH BUTTON, 1.6A	31368	1
CONTROL CABLE	33452	1
PIVOT SLEEVE, WHEEL	30464	2
WASHER-PLAIN 1/4"	00851	4
SCREW, 1/4"-20 X 7/8" L, FHD, PH, ZP	11276A	1
NUT, HEX #8-32 ZP	30074	4
SCREW, #10-24 X 7/16" L, PNHD, PH, ZP	03660	4
10 AMP CIRCUIT BREAKER	32964	1
NUT-HEX LOCK #10-24	10892	2
GROUND LABEL	X9214	2
SCREW, #8-18 X 3/8" L, PNHD, PH, ZP, TAP-AB	16142B	4
SCREW, TCT(F) PAN HEAD, #10-32	03261	2
SCREW, #8-32 X 1/2" L, FHD, SOCKET, BO	33114	8
METAL STUD, CAM LEVER	33104	2
SCREW, #10-32 X 1-3/4" L, FHD, PH, ZP	33630	2
SCREW, 1/4"-20 X 1-1/4" L, RHDHD, PH, ZP	19999	2
CAM LEVER HANDLE	33102	2
EMI FILTER, MOTOR	33508	1
EMI FILTER, POWER	33506	1
CAPACITOR, EMI FILTER	33628	1
NUT-HEX. LOCK (KEPS) #10-32	02625	4
WASHER, SEALING #10	11385	6
WIRING HARNESS	33504	1



REV	DATE	ECN	DESCRIPTION	BY	MATL:	FINISH:	SCALE	SHEET	1 of 1
01	4/18/14		REDRAWN IN CREO	VK	DWN	DATE 4/15/14	1:7		
02	8/11/14	N/A	UPDATED DESCRIPTIONS ON ITEM 12, 18, AND 34	VK					

DESCRIPTION	WIDE AREA VACUUM
REV MODEL: 00	REV DRAWING: 02
PN:	93031TV

TRUVOX
COMMERCIAL FLOOR CARE EQUIPMENT
3101 Wichita Court
Fort Worth, TX 76140-1785

TACONY CORPORATION CLAIMS PROPRIETARY RIGHTS IN THE MATERIAL DISCLOSED HEREIN. THIS DRAWING IS ISSUED FOR ENGINEERING INFORMATION ONLY. IT MAY NOT BE REPRODUCED, NOR MAY THE INFORMATION HEREON BE USED FOR MANUFACTURING PURPOSES WITHOUT WRITTEN PERMISSION FROM TACONY CORP.

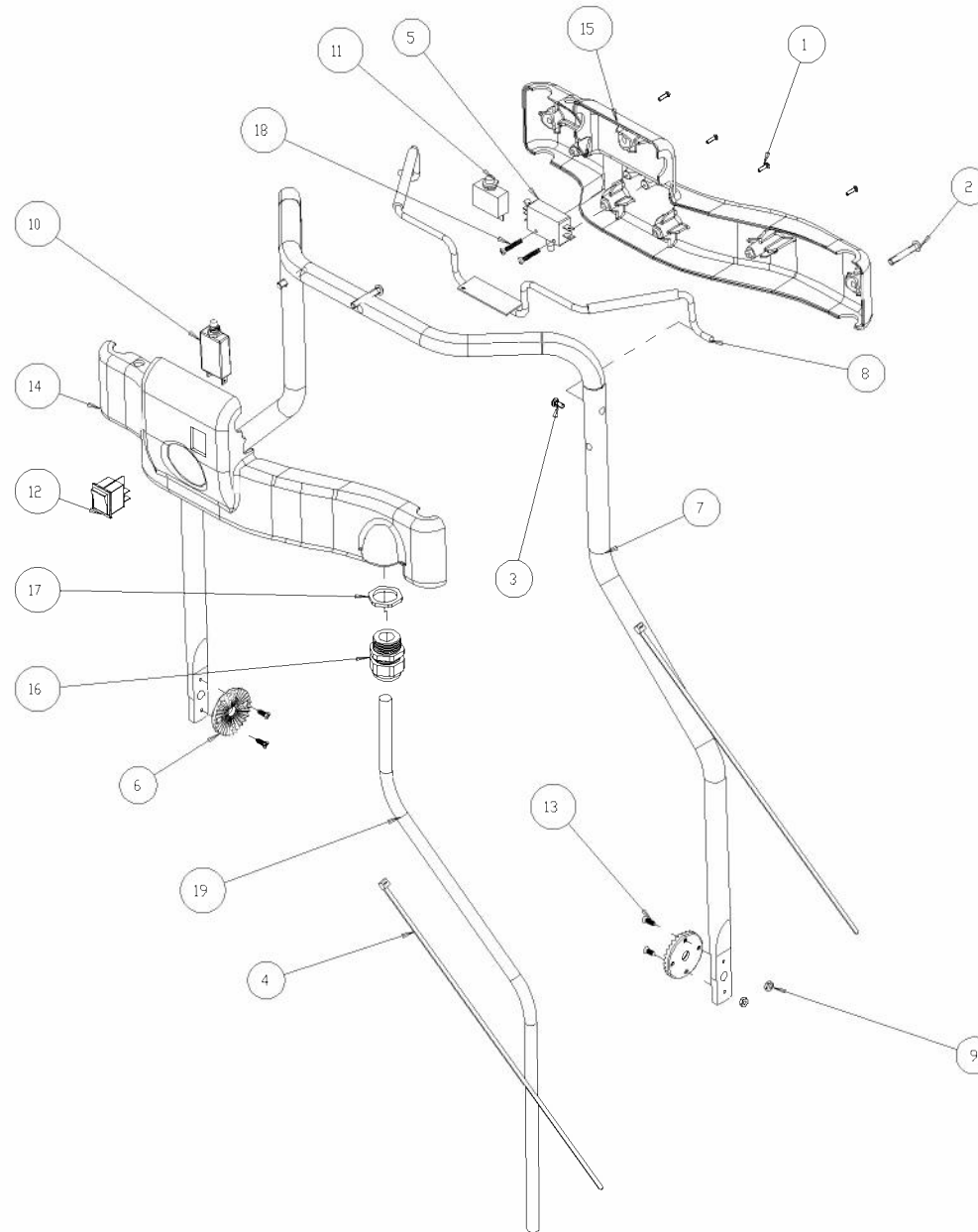
X.X ± 0.02 IN
X.XX ± 0.01 IN
X.XXX ± 0.005 IN
ANGLES ± 30°
BREAK SHARP EDGES TO 0.010

PART NUMBER

19984

BILL OF MATERIALS

ITEM	QTY	PART NUMBER	DESCRIPTION
1	4	16924	SCREW, #6-32 X 3/4"L, PAN HEAD
2	3	01978	SCREW, 1/4"-20 X 1-1/2"L, RHDHD, PH, ZP
3	1	03261	SCREW, TCT(F) PAN HEAD, #10-32
4	4	18706	WIRE TIE, 15", BLACK
5	1	19357	SWITCH, PUSH BUTTON, DPST, 20A
6	2	19798	BRACKET, GROOVED
7	1	19829	HANDLE, MAIN
8	1	19849	TRIGGER, BRUSH SWITCH
9	4	30074	NUT, HEX #8-32 ZP
10	1	31368	CIRCUIT BREAKER, PUSH BUTTON, 16A
11	1	32964	10 AMP CIRCUIT BREAKER
12	1	32966	SWITCH, ROCKER, DPST, 20A
13	4	33188	SCREW, #8-32 X 1/2"L, FHD, PH, ZP, TAP-F
14	1	33189	SWITCH BOX, TOP
15	1	33190	SWITCH BOX, BOTTOM
16	1	33191	STRAIN RELIEF, LID, TITE
17	1	33192	NUT, LOCK, STRAIN RELIEF, NI-PLATE
18	2	33194	SCREW, #6-13 X 1L, PNHD, PH, ZP, PLASTITE
19	1	33452	CONTROL CABLE

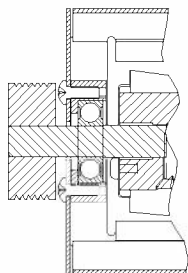
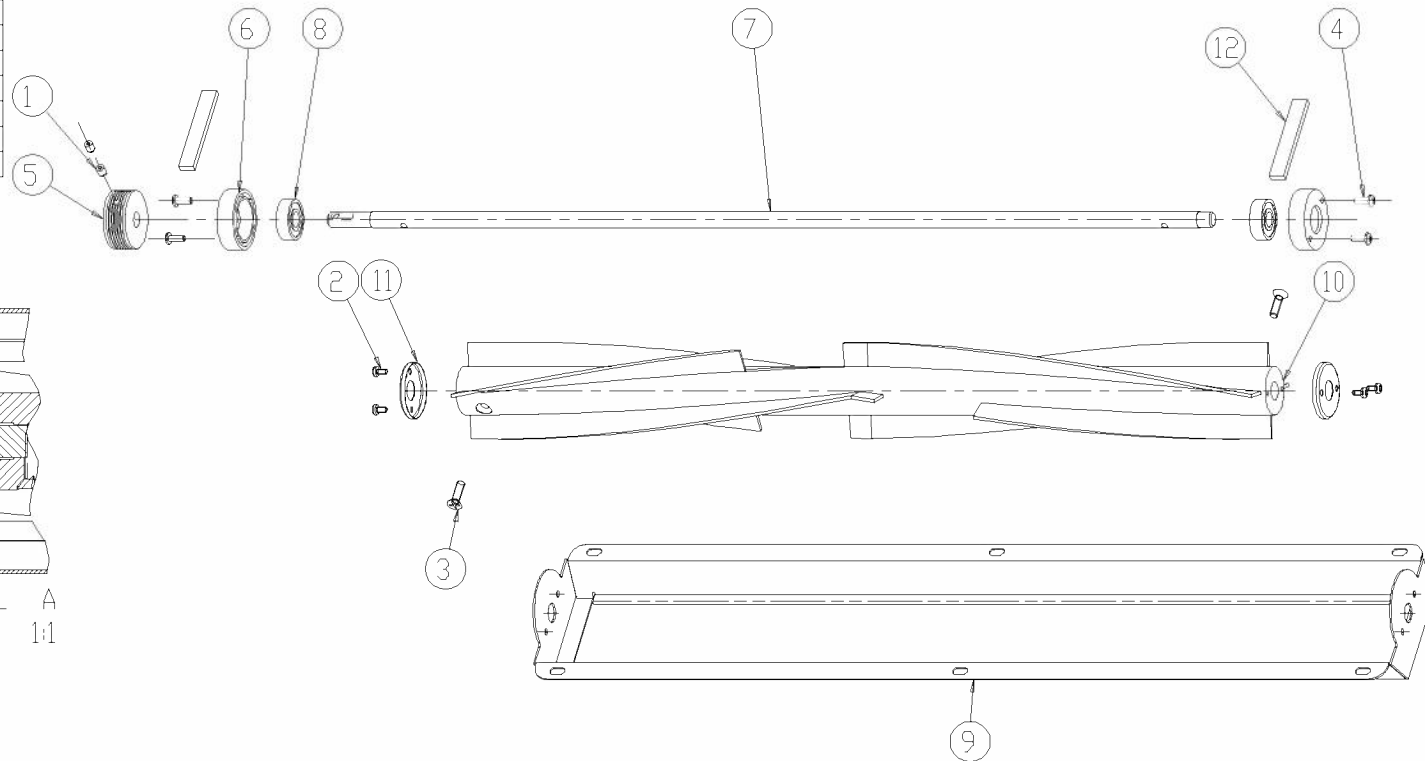


REV	DATE	ECN	DESCRIPTION	BY	MATERIAL	FINISH	Tacony COMMERCIAL FLOOR CARE		3101 Wichita Court Fort Worth, TX 76140-1755	
A	4/08	10787	NEW RELEASE	KM	DWN KM	DATE -	SCALE -	SHEET	1 OF 1	
B	4/24/09	-	NEW RELEASE	AR	UNLESS OTHERWISE NOTED ALL TOLERANCES ARE ±0.02		TACONY CORPORATION CLAIMS PROPRIETARY RIGHTS IN THE MATERIAL DISCLOSED HEREIN. THIS DRAWING IS ISSUED FOR ENGINEERING INFORMATION ONLY. IT MAY NOT BE REPRODUCED, NOR MAY THE INFORMATION HEREIN BE USED FOR MANUFACTURING PURPOSES WITHOUT WRITTEN PERMISSION FROM TACONY CORP.		DESCRIPTION HANDLE, WAV, 230V	
C	1/15/14		CHANGED CIRCUIT BREAKER	VK			A	PART NUMBER	19984	REV C

PART NUMBER **19870**

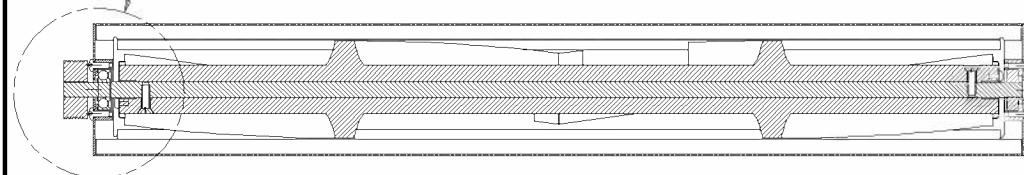
BILL OF MATERIALS

ITEM	QTY	PART NO.	DESCRIPTION
1	2	02011	SCREW, 1/4"-20 X 5/16" L, SET, ALLEN, CUPPNT, BO
2	4	07535	SCREW, #8-18 X 3/8" L, PNHD, PH, ZP, TAP-AB
3	2	11276	SCREW, 1/4"-20 X 7/8" L, FHD, PH, ZP
4	4	16142	SCREW, #10-32 X 1/2" L, PNHD, PH, ZP
5	1	19804	PULLEY, BRUSH, DRIVEN
6	2	19805	BEARING BLOCK
7	1	19808	AXLE, BRUSH
8	2	19809	BEARING, SEALED, 6201-2RS
9	1	19810	SHOE, BRUSH MOUNT
10	1	19811	BRUSH, 2B"
11	2	19848	THREAD GUARD
12	2	32896	GASKET



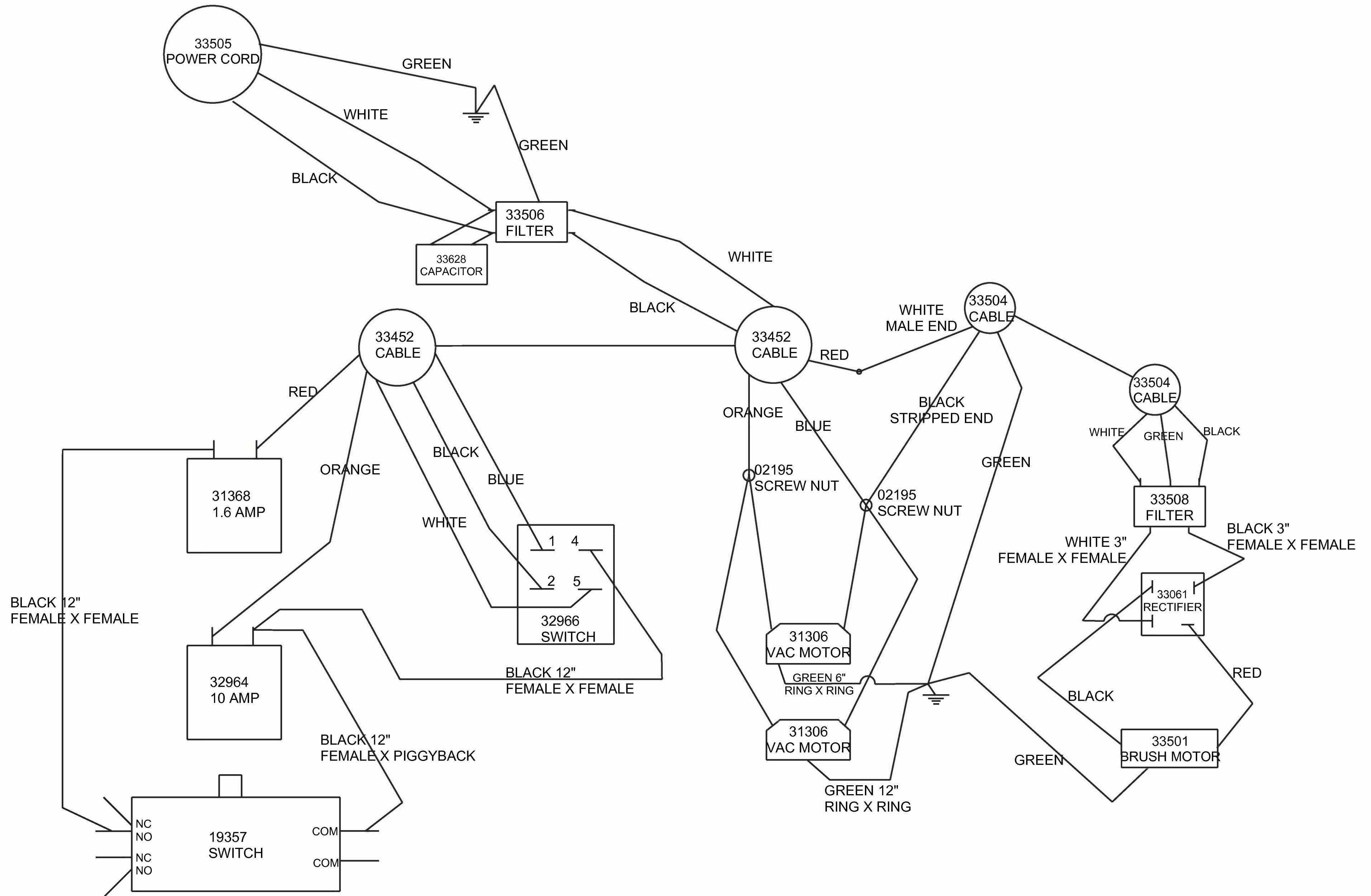
DETAIL A
SCALE 1:1

SEE DETAIL A



SECTION A-A

REV	DATE	ECN	DESCRIPTION	BY	MATERIAL	FINISH	TACOONY		3101 Wichita Court Fort Worth, TX 76140-1755	
E	06/07	10741	REMOVED 19838	TNC	DWN OM	DATE 05/98	SCALE NTS	SHEET 1 OF 1	COMMERCIAL FLOOR CARE	
D	02/00	10297	REMOVED 19837 & 19806 ADDED 07535 & 19848	XAZ	UNLESS OTHERWISE NOTED ALL TOLERANCES ARE ±0.02		TACOONY CORPORATION CLAIMS PROPRIETARY RIGHTS IN THE MATERIAL DISCLOSED HEREIN. THIS DRAWING IS ISSUED FOR ENGINEERING INFORMATION ONLY. IT MAY NOT BE REPRODUCED, NOR MAY THE INFORMATION HEREIN BE USED FOR MANUFACTURING PURPOSES WITHOUT WRITTEN PERMISSION FROM TACOONY CORP.		DESCRIPTION ASSY, BRUSH, WAV	
C	12/99	10104	REMOVED 19848	TH			A	PART NUMBER	19870	REV E



★ STAR DENOTES CRITICAL DIMENSION

REV	DATE	ECN	DESCRIPTION	BY	CBY	MATL	SEE PARTS	FINISH	SEE PARTS	TRUVOX	
01	8/19/14	N/A	UPDATED BREAKER FROM 32935 TO 31368	VK	KK	DWN	KM	DATE	02/08	SCALE	SHEET 1 of 1
							X.X ± 0.5 MM X.XX ± 0.2 MM X.XXX ± 0.1 MM ANGLES ± 0.5	TACONY CORPORATION CLAIMS PROPRIETARY RIGHTS IN THE MATERIAL DISCLOSED HEREIN. THIS DRAWING IS ISSUED FOR ENGINEERING INFORMATION ONLY. IT MAY NOT BE REPRODUCED, NOR MAY THE INFORMATION HEREIN BE USED FOR MANUFACTURING PURPOSES WITHOUT WRITTEN PERMISSION FROM TACONY CORP.			
										3101 Wichita Court Fort Worth, TX 76140-1755	
										C DESCRIPTION: WAV 230V	
										PN: 93031TV	